

# RL 4150, 50Hz

## Electric submersible pump

### Specifications

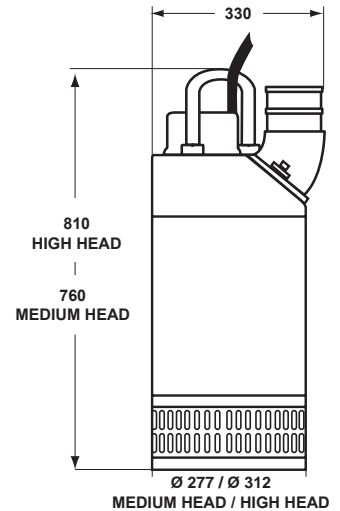
Portable electric submersible pump for dewatering of construction sites, mines, flooded areas etc. Designed for handling liquid with abrasive particles. Prot class IP68

### Pump Types

RL 4152	Low head/high volume
RL 4154	Medium head
RL 4156	High head

### Electric Motor

3-phase: Squirrel cage induction motor with built-in contactor.  
Insulation: Class F (+155C), IEC 85



Data		RL 4152	RL 4154	RL 4156
Rated Output	kW	4.7	4.7	4.7
Rated Current A	230v	16	16	16
	400v	8.5	8.5	8.5
	500v	7.0	7.0	
Shaft speed	rpm	2900	2900	2900

*Other voltage upon request*

### Motor Protection

Thermal switch in each winding (+135 degree C)

### Cable

Oil and wear resistant rubber cable type HO7RN-F  
230v, 20m 4x4mm<sup>2</sup>  
400v, 20m 4x2.5mm<sup>2</sup>

### Shaft Seal

Primary seal: Silicon carbide against silicon carbide.  
Secondary seal: Carbon against ceramic  
Available in a complete instant service pack or as separate items

### Bearings

Single-row ball bearing with C3 clearance

### Materials

Castings:	Aluminium
Outer-casing:	Aluminium
Shaft:	Stainless steel
Fasteners:	Stainless steel
Impeller:	Cr-alloyed white cast iron, 55Rc
Wear parts:	Natural rubber

### Discharge connection

4" std for RL 4152 and RL 4154,  
3" std for RL 4156, for hose, BSP or NPT

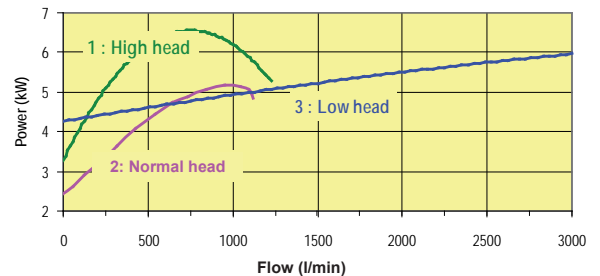
### Accessories

Float switch  
Zinc anodes  
Epoxy coating

Weight: RL 4152/4 55 kg      Dimensions (mm).  
                  RL 4156 63 kg

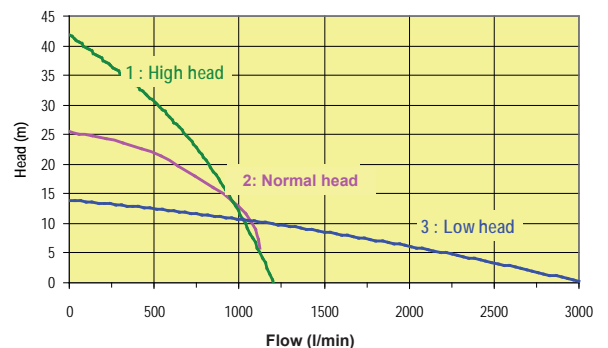
### Power (kW)

According to ISO 9906 - ANNEX A



### Flow Chart

According to ISO 9906 - ANNEX A



### Features

Robust design  
Lightweight and user friendly  
Wear resistant wet end in CR-alloy steel and natural rubber  
Adjustable wear parts  
Complete instant service pack for easy and fast service  
Built-in contactor  
Easy installation

### Designed for:

Heavy duty pumping of abrasive liquids  
Max submersible depth of 20m  
Max temperature of liquid +40C  
Max density of liquid, 1.100kg/m<sup>3</sup>  
pH of the liquid between 5-8.  
For special applications contact Weda pump.

